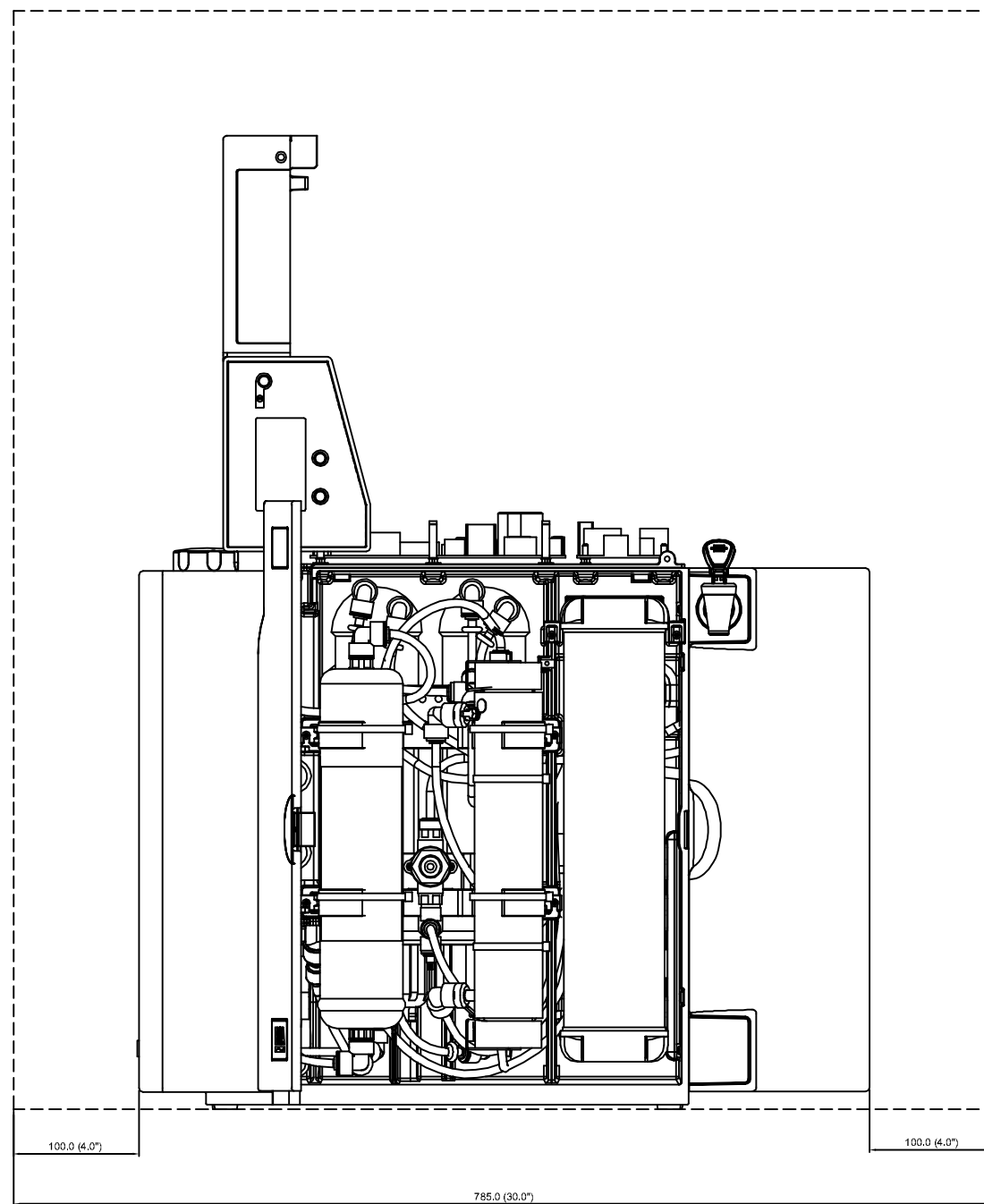
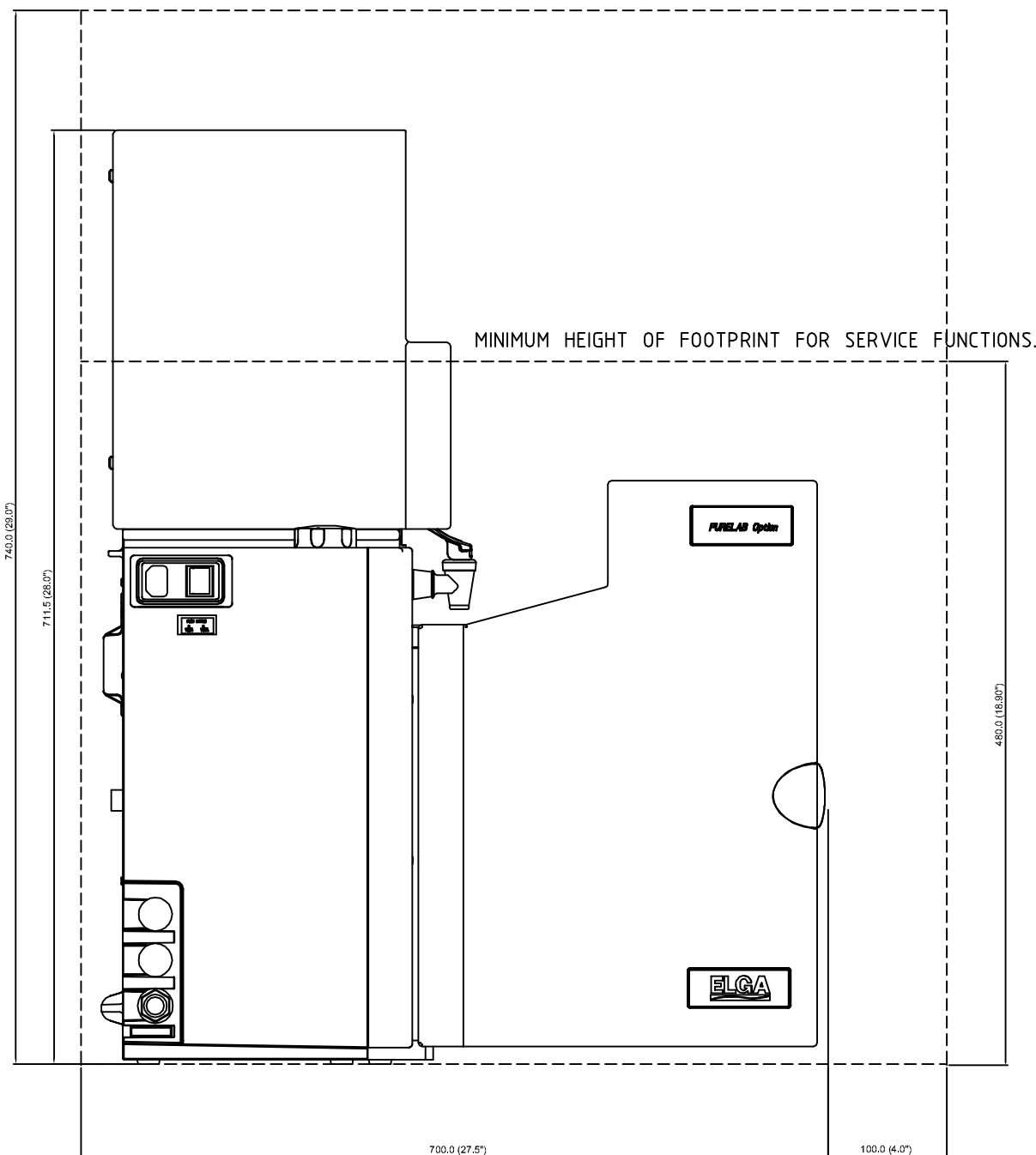


ISS.	MN/PRN/DN	ACTION	APPR'D	DATE
1	DN/E/144	JP		
-	-	-	-	-
-	-	-	-	-

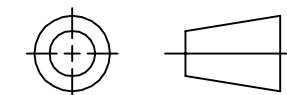
NOTE:-

TOP OF THE UNIT IS SHOWN OPEN TO ENSURE SUFFICIENT ACCESS FOR THE PERFORMANCE OF SERVICE FUNCTIONS.

RECOMMENDED HEIGHT OF FOOTPRINT FOR SERVICE FUNCTIONS.



IF IN DOUBT-ASK



3rd ANGLE PROJECTION DO NOT SCALE

MATERIAL: N/A

FINISH: N/A

GENERAL NOTE: N/A

TOLERANCES UNLESS STATED:  
 ONE PLACE DEC. ± N/A ANGULAR ± 0.5°  
 TWO PLACE DEC. ± ALL HOLE TOLS. TO BS.4500 H11

DIMS. IN mm	SCALE	DRAWN	JP	AUG 11	DATE
	NTS	CHECKED	SB	AUG 11	
SIZE: A3		APPROVED	LU	AUG 11	

TITLE  
**SALES DIAGRAM  
 TYPICAL  
 PURELAB PULSE  
 1 & 2 RANGE**

PART NUMBER: N/A

**ELGA**

[www.elgalabwater.com](http://www.elgalabwater.com)

[info@elgalabwater.com](mailto:info@elgalabwater.com)

ELGA is the laboratory water brand of Veolia Water Solutions & Technologies.

DRG. NO.	<b>SD_PUL_002</b>	ISSUE	<b>1</b>
SHEET No.2 OF 3			

THIS DRAWING IS THE PROPERTY OF ELGA Labwater. THE DETAILS SHOWN ARE STRICTLY CONFIDENTIAL AND MUST NOT BE DISCLOSED TO ANY THIRD PARTY WITHOUT THE CONSENT OF VWS (UK) LTD.