

ISS.	MN/PRN/DN	ACTION	APPR'D	DATE
1	DN/E/144	JP		
-	-	-	-	-
-	-	-	-	-

ELECTRICAL REQUIREMENTS

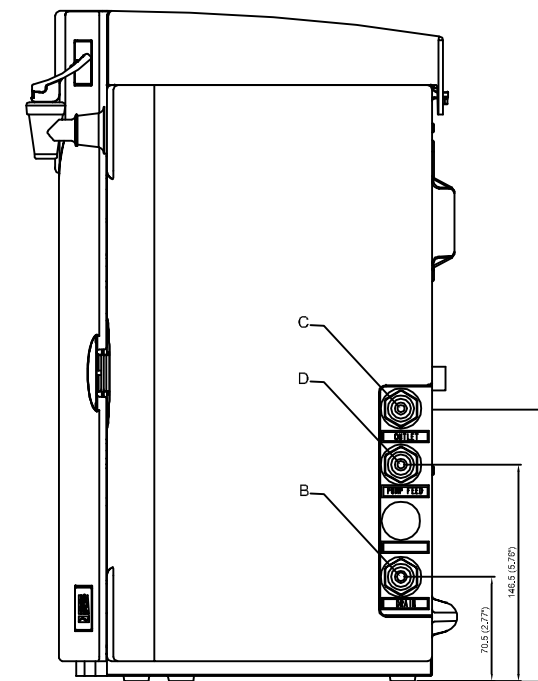
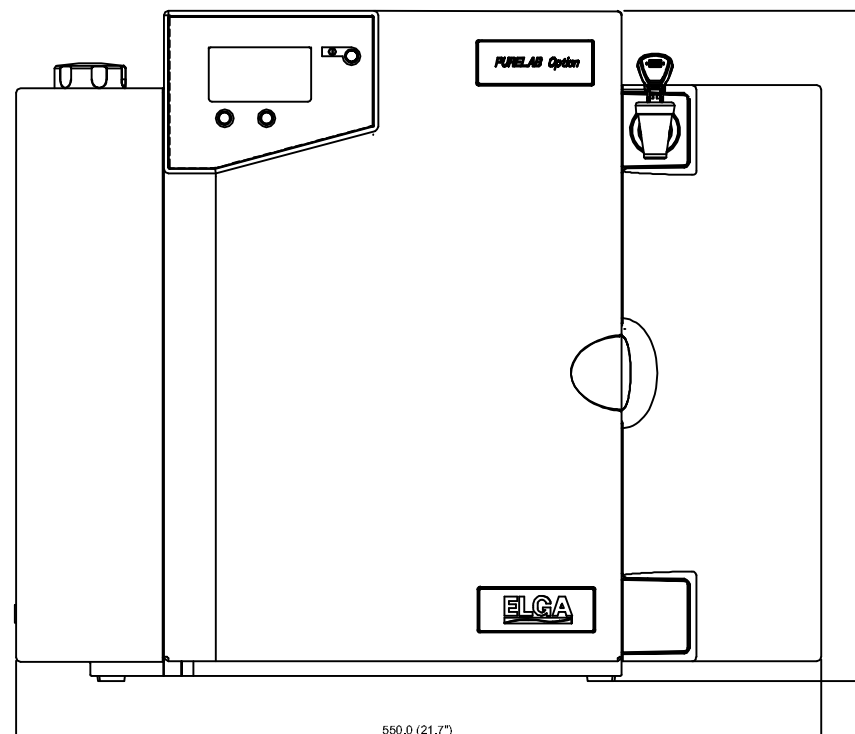
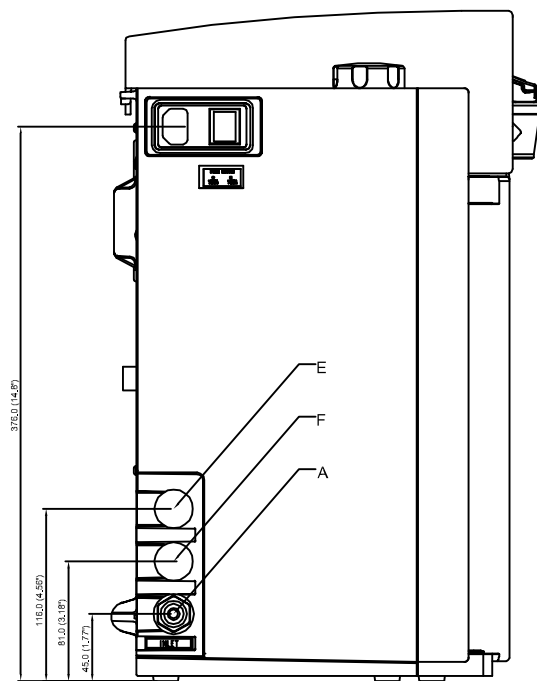
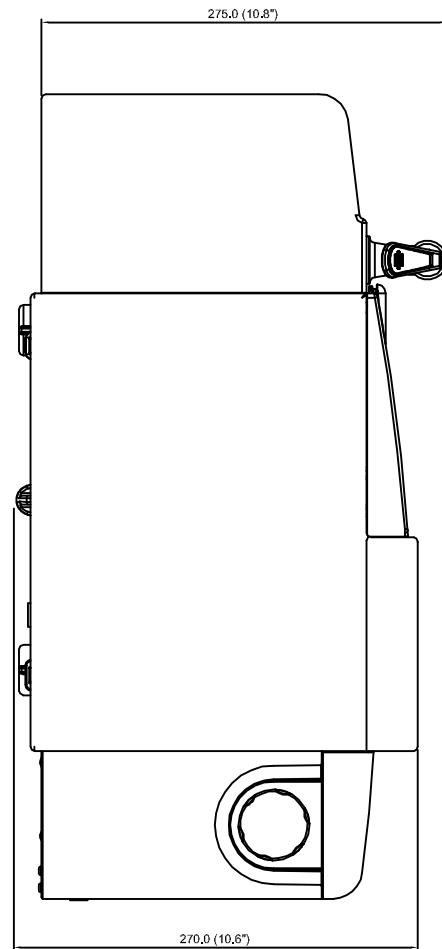
MAINS INPUT	100-240Vac, 50-60Hz ALL MODELS
SYSTEM VOLTAGE	24 Vdc
POWER CONSUMPTION WITH BOOST PUMP	80 VA
POWER CONSUMPTION WITHOUT BOOST PUMP	50 VA
FUSES	2 x T6.3 AMP
RESERVOIR LEVEL CONNECTION	JACK PLUG 3.5 mm
NOISE LEVEL	<45 dBA

CONNECTION DETAILS.

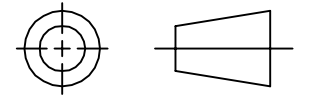
REF	FUNCTION	DETAILS	OPTION-Q 7	OPTION-Q 15
A	INLET- FEED WATER	8mm OD (5/16") TUBE CONNECTOR	✓	✓
B	DRAIN	8mm OD (5/16") TUBE CONNECTOR	✓	✓
C	OUTLET	8mm OD (5/16") TUBE CONNECTOR	✓	✓
D	RECIRC' PUMP FEED	8mm OD (5/16") TUBE CONNECTOR	✓	✓
E	PRE-FILTER OUTLET	8mm OD (5/16") TUBE CONNECTOR	OPTIONAL	OPTIONAL
F	PRE-FILTER RETURN	8mm OD (5/16") TUBE CONNECTOR	OPTIONAL	OPTIONAL

UNIT WEIGHTS

UNIT	WEIGHT
OPTION-Q 7 - WITH INTERNAL BOOST PUMP	20.0KG (44.0LB)
OPTION-Q 7 - WITHOUT INTERNAL BOOST PUMP	18.0KG (40.0LB)
OPTION-Q 15 - WITH INTERNAL BOOST PUMP	21.0KG (46.0LB)
OPTION-Q 15 - WITHOUT INTERNAL BOOST PUMP	19.0KG (42.0LB)



IF IN DOUBT-ASK



3rd ANGLE PROJECTION DO NOT SCALE

MATERIAL: N/A

FINISH: N/A

GENERAL NOTE: N/A

TOLERANCES UNLESS STATED:
 ONE PLACE DEC. ± N/A ANGULAR ± 0.5°
 TWO PLACE DEC. ± ALL HOLE TOLS. TO BS.4500 H11

DIMS. IN mm	SCALE	DRAWN	JP	AUG 11	DATE
			CHECKED	SB	
SIZE: A3	NTS	APPROVED	LU	AUG 11	

TITLE
**SALES DIAGRAM
 OUTLINE & CONN'N
 PURELAB OPTION-Q
 7/15 RANGE**

PART NUMBER: N/A

ELGA

www.elgalabwater.com

info@elgalabwater.com

ELGA is the laboratory water brand of Veolia Water Solutions & Technologies.

DRG. NO. **SD_POQ_001** ISSUE
 SHEET No.1 OF 3 **1**

THIS DRAWING IS THE PROPERTY OF ELGA Labwater. THE DETAILS SHOWN ARE STRICTLY CONFIDENTIAL AND MUST NOT BE DISCLOSED TO ANY THIRD PARTY WITHOUT THE CONSENT OF VWS (UK) LTD.