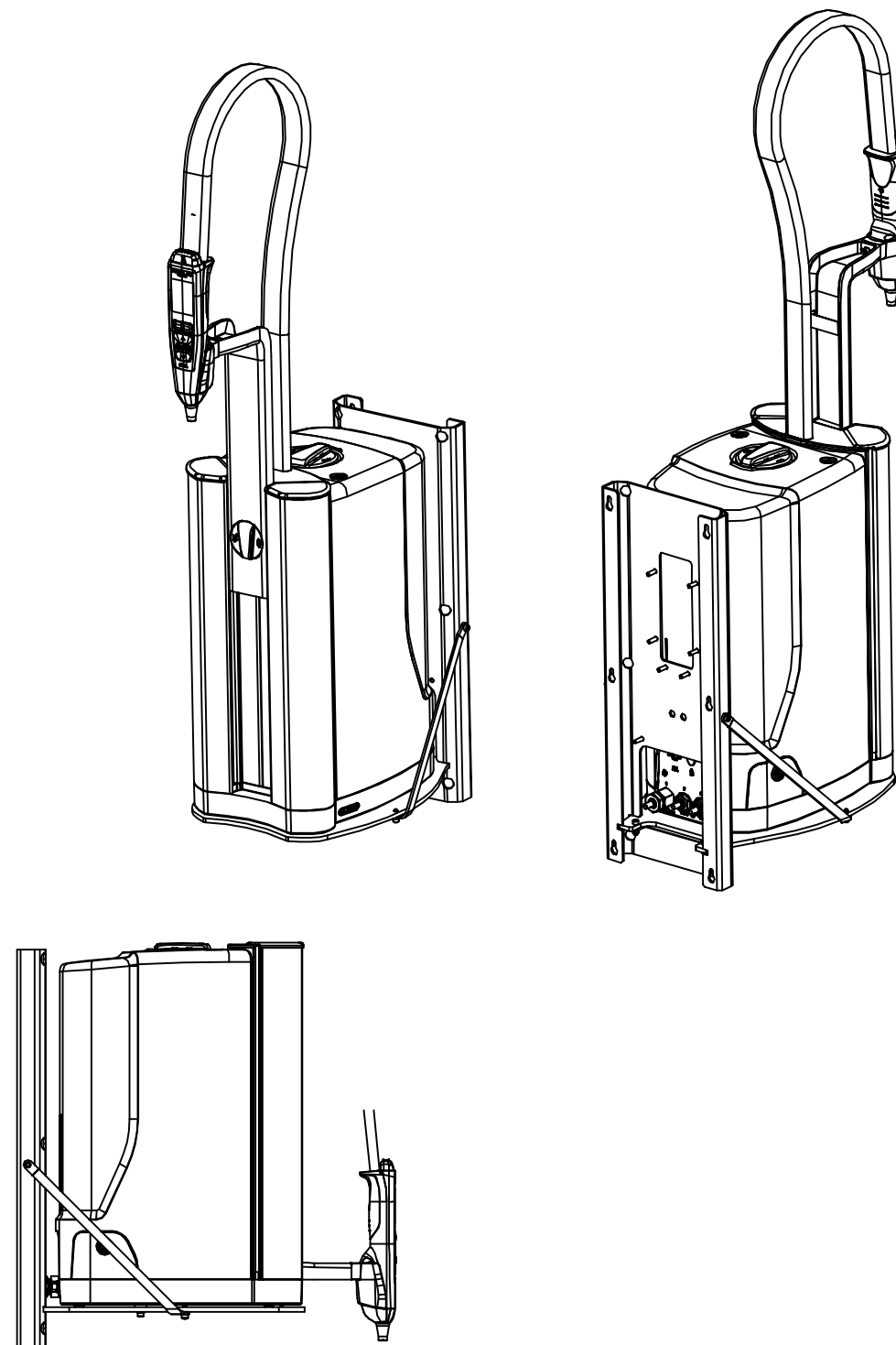
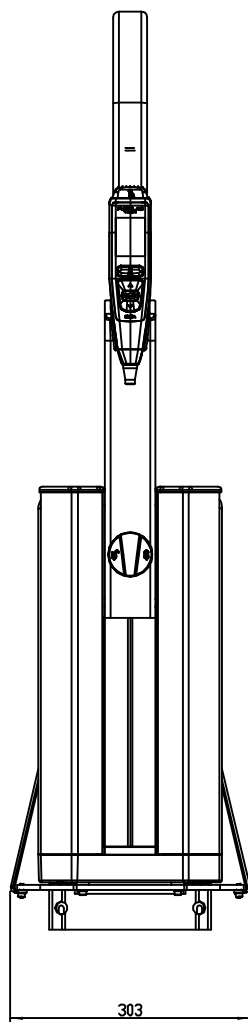
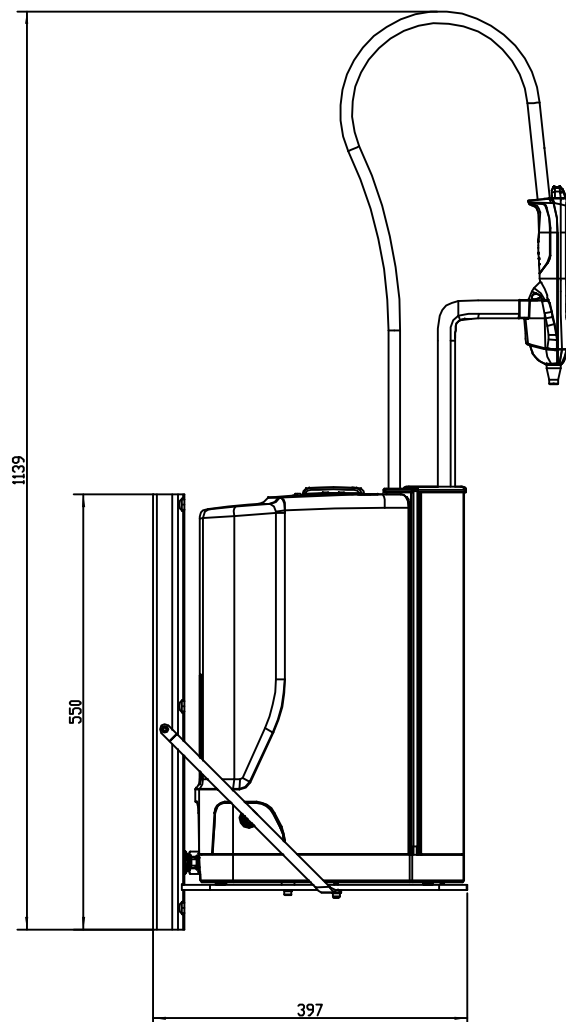
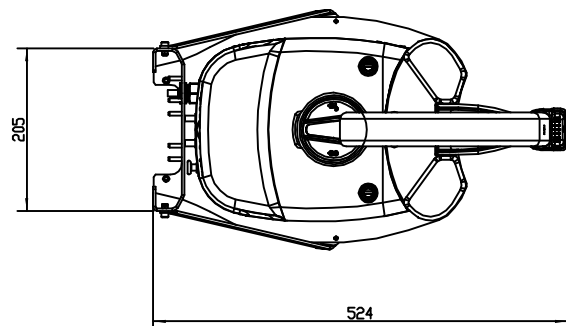
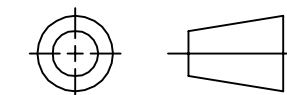


ISS.	MN/PRN/DN	ACTION	APPR'D	DATE
1	DN/E/144	DSS	SB	SEPT 11
-	-	-	-	-
-	-	-	-	-



IF IN DOUBT-ASK



3rd ANGLE PROJECTION DO NOT SCALE

MATERIAL: N/A

FINISH: N/A

GENERAL NOTE: N/A

TOLERANCES UNLESS STATED:
 ONE PLACE DEC. ± N/A ANGULAR ± 0.5°
 TWO PLACE DEC. ± ALL HOLE TOLS. TO BS.4500 H11

DIMS. IN mm	SCALE	DRAWN	DSS	SEPT 11	DATE
			SB	SEPT 11	
SIZE: A3	NTS	CHECKED	LU <td>SEPT 11</td> <td></td>	SEPT 11	
		APPROVED			

TITLE
SALES DIAGRAM
PURELAB flex 3 & 4

PART NUMBER: N/A

ELGA

www.elgalabwater.com

info@elgalabwater.com

ELGA is the laboratory water brand of Veolia Water Solutions & Technologies.

DRG. NO.	SD-PF-3_4	ISSUE	1
SHEET No.2 OF	2		

THIS DRAWING IS THE PROPERTY OF ELGA Labwater. THE DETAILS SHOWN ARE STRICTLY CONFIDENTIAL AND MUST NOT BE DISCLOSED TO ANY THIRD PARTY WITHOUT THE CONSENT OF VWS (UK) LTD.