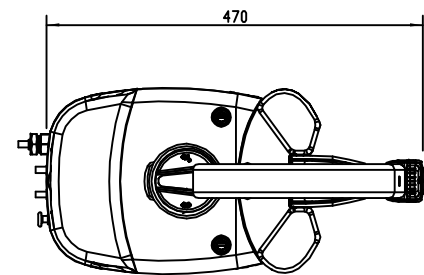


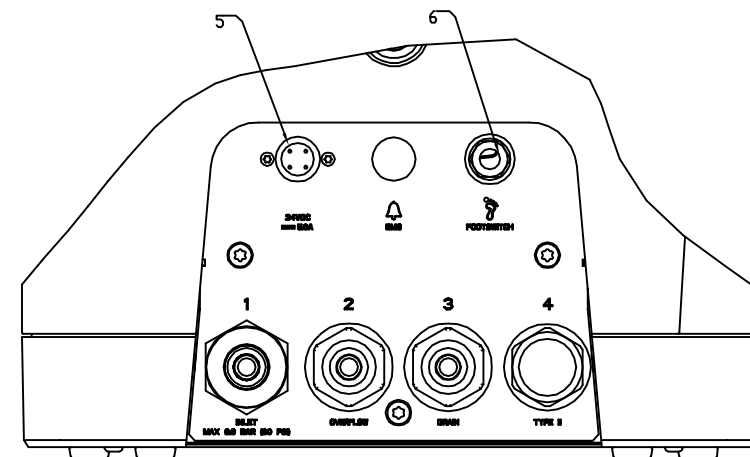
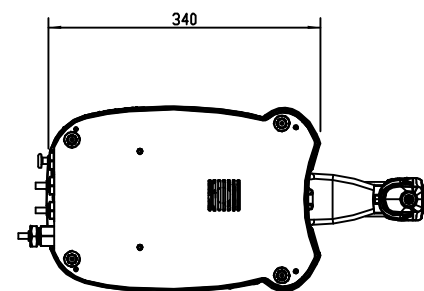
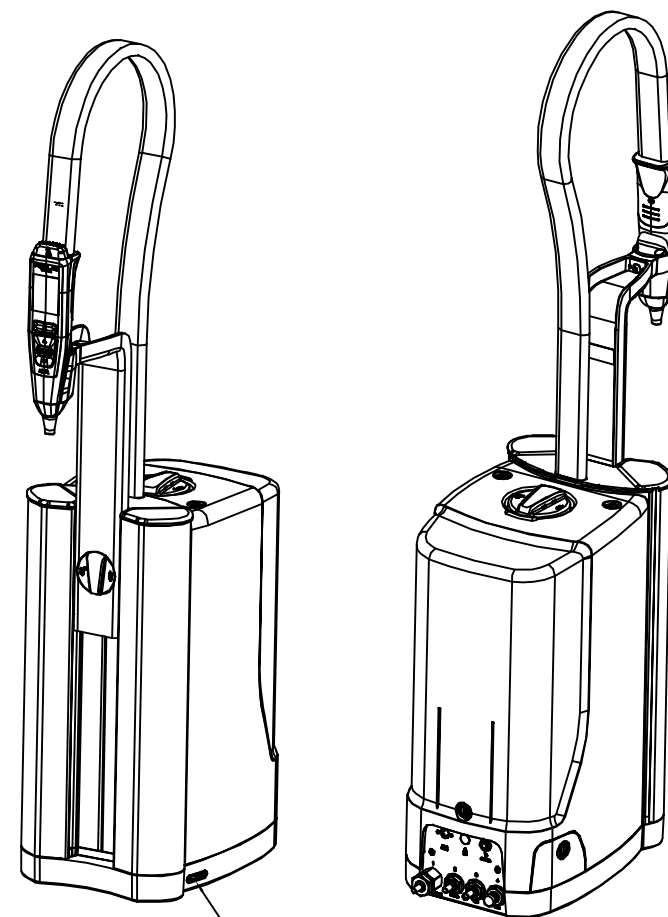
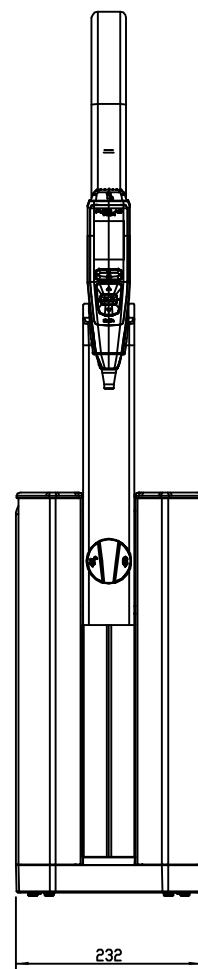
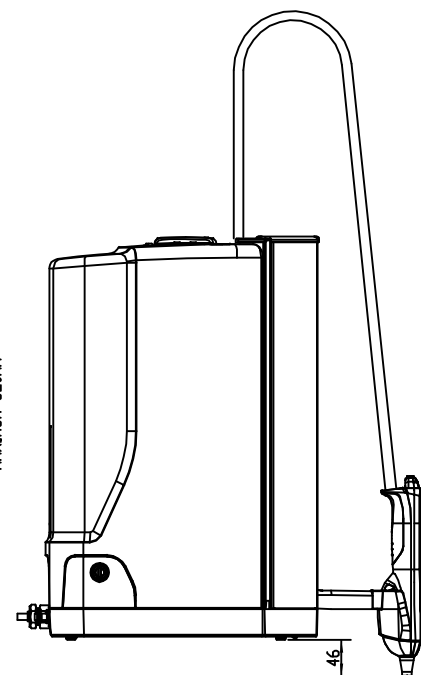
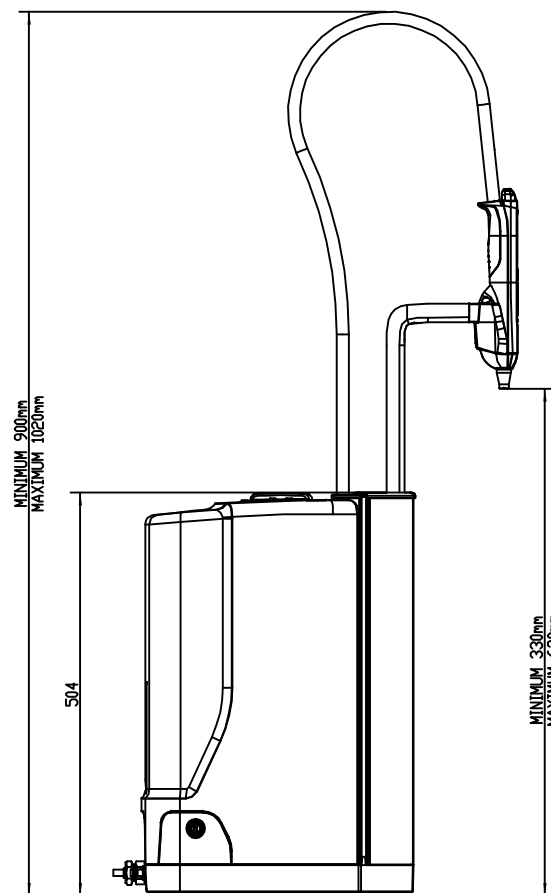
ISS.	MN/PRN/DN	ACTION	APPR'D	DATE
1	DN/E/144	DSS	SB	SEPT 11
-	-	-	-	-
-	-	-	-	-



CONNECTION DETAILS		
REF	FUNCTION	DESCRIPTION
1	INLET	8MM (5/16") OD TUBE CONNECTOR
2	OVERFLOW	8MM (5/16") OD TUBE CONNECTOR
3	DRAIN	8MM (5/16") OD TUBE CONNECTOR
4	TYPE II	8MM (5/16") OD TUBE CONNECTOR
5	POWER INLET	DIN SOCKET
6	FOOTSWITCH	1/4" JACK SOCKET
7	USB	USB PORT

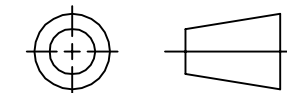
UNIT WEIGHTS	
PURELAB flex 3	23kg (57.3lb)
PURELAB flex 4	23kg (57.3lb)

ELECTRICAL REQUIREMENTS	
MAINS INPUT	100-240V a.c., 50-60Hz
SYSTEM VOLTAGE	24Vdc
POWER CONSUMPTION	110VA
NOISE LEVEL	<40dBa



CONNECTION DETAILS

IF IN DOUBT-ASK



3rd ANGLE PROJECTION DO NOT SCALE

MATERIAL: N/A

FINISH: N/A

GENERAL NOTE: N/A

TOLERANCES UNLESS STATED:
 ONE PLACE DEC. ± N/A ANGULAR ± 0.5°
 TWO PLACE DEC. ± ALL HOLE TOLS. TO BS.4500 H11

DIMS. IN mm	SCALE	DRAWN	DSS	SEPT 11	DATE
			SB	SEPT 11	
SIZE: A3	NTS	CHECKED	LU <td>SEPT 11</td> <td></td>	SEPT 11	
		APPROVED			

TITLE
SALES DIAGRAM
PURELAB flex 3 & 4

PART NUMBER: N/A

ELGA

www.elgalabwater.com

info@elgalabwater.com

ELGA is the laboratory water brand of Veolia Water Solutions & Technologies.

DRG. NO. **SD-PF-3_4**
 SHEET No.1 OF 2

ISSUE
1

THIS DRAWING IS THE PROPERTY OF ELGA Labwater. THE DETAILS SHOWN ARE STRICTLY CONFIDENTIAL AND MUST NOT BE DISCLOSED TO ANY THIRD PARTY WITHOUT THE CONSENT OF VWS (UK) LTD.