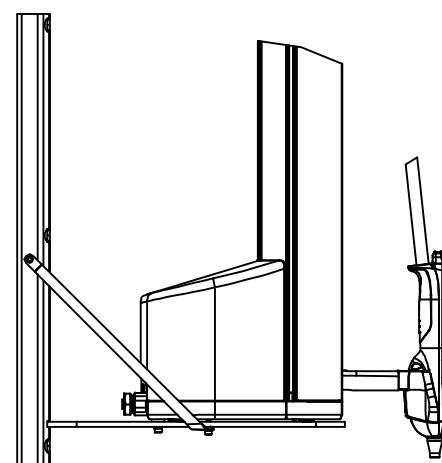
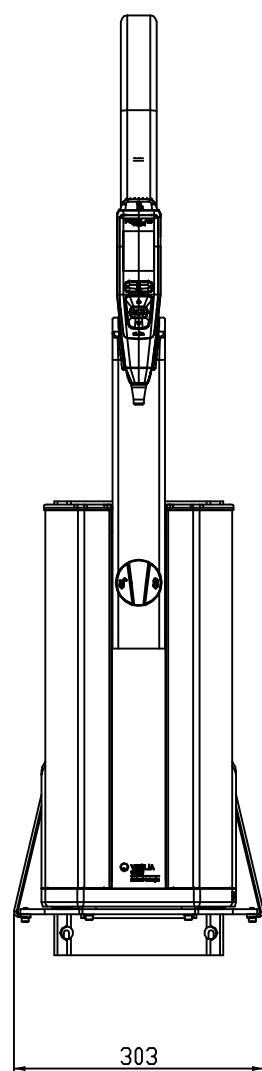
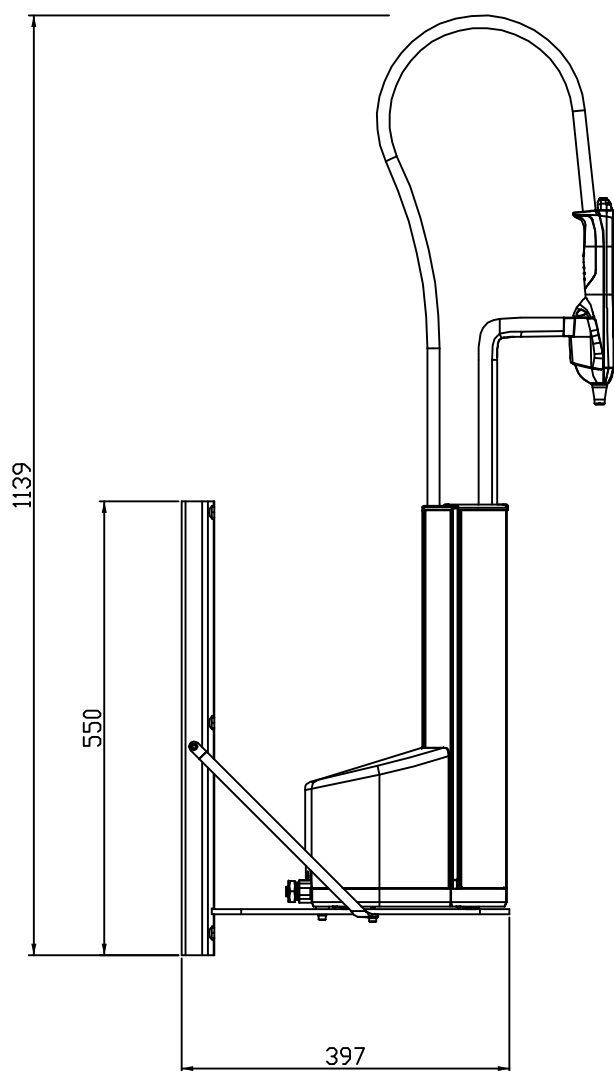
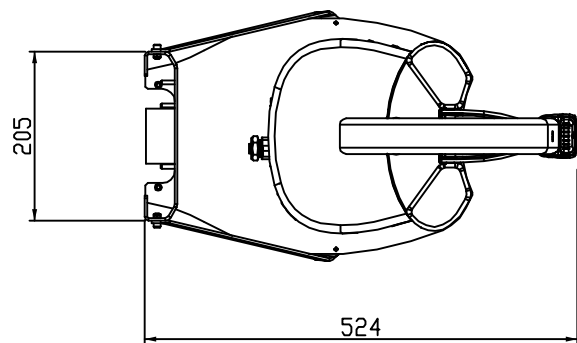
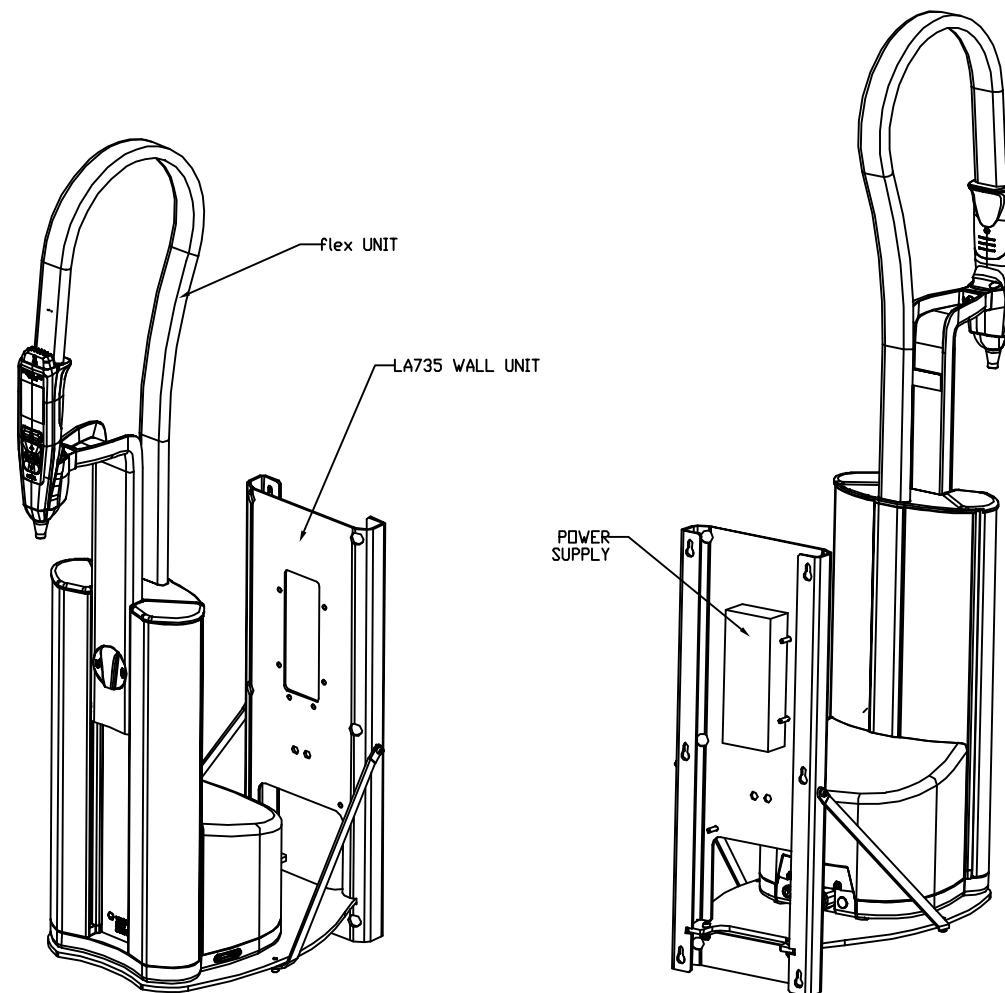


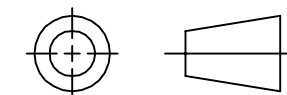
| ISS. | MN/PRN/DN | ACTION | APPR'D | DATE |
|------|-----------|--------|--------|---------|
| 1 | DN/E/127 | BAC | LU | MAY 09 |
| 6 | DN/E/144 | DSS | SBT | SEPT 11 |
| - | - | - | - | - |



VIEW SHOWING REVERSED
ARM
CONFIGURATION



IF IN DOUBT-ASK



3rd ANGLE PROJECTION DO NOT SCALE

MATERIAL: N/A

FINISH: N/A

GENERAL NOTE: N/A

TOLERANCES UNLESS STATED:
ONE PLACE DEC. ± N/A ANGULAR ± 0.5°
TWO PLACE DEC. ± ALL HOLE TOLS. TO BS.4500 H11

| DIMS. IN mm | SCALE | DRAWN | DSS | SEPT 11 | DATE |
|----------------|-------|----------|-----|---------|------|
| | | | SB | SEPT 11 | |
| SIZE: A3 | NTS | CHECKED | LU | SEPT 11 | |
| | | APPROVED | | | |

TITLE
**SALES DIAGRAM
PURELAB flex 1 & 2**

PART NUMBER: N/A

ELGA

www.elgalabwater.com

info@elgalabwater.com

ELGA is the laboratory water brand of Veolia Water Solutions & Technologies.

DRG. NO. **SD-PF-1_2**
SHEET No.2 OF 2

ISSUE
6

THIS DRAWING IS THE PROPERTY OF ELGA Labwater. THE DETAILS SHOWN ARE STRICTLY CONFIDENTIAL AND MUST NOT BE DISCLOSED TO ANY THIRD PARTY WITHOUT THE CONSENT OF VWS (UK) LTD.