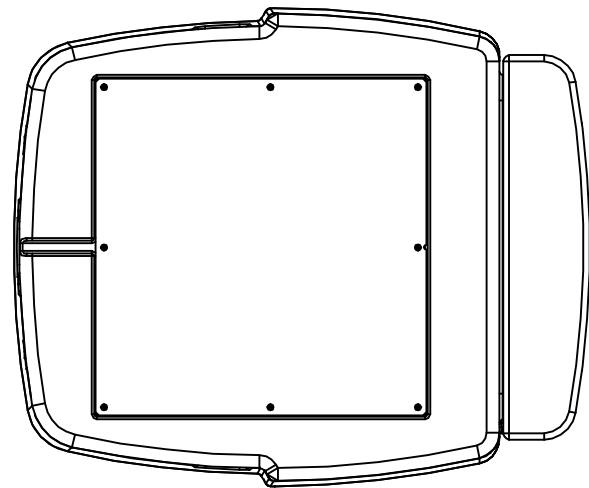


ISS.	MN/PRN/DN	ACTION	APPR'D	DATE
1	DN/E/144	JP		
-	-	-	-	-
-	-	-	-	-

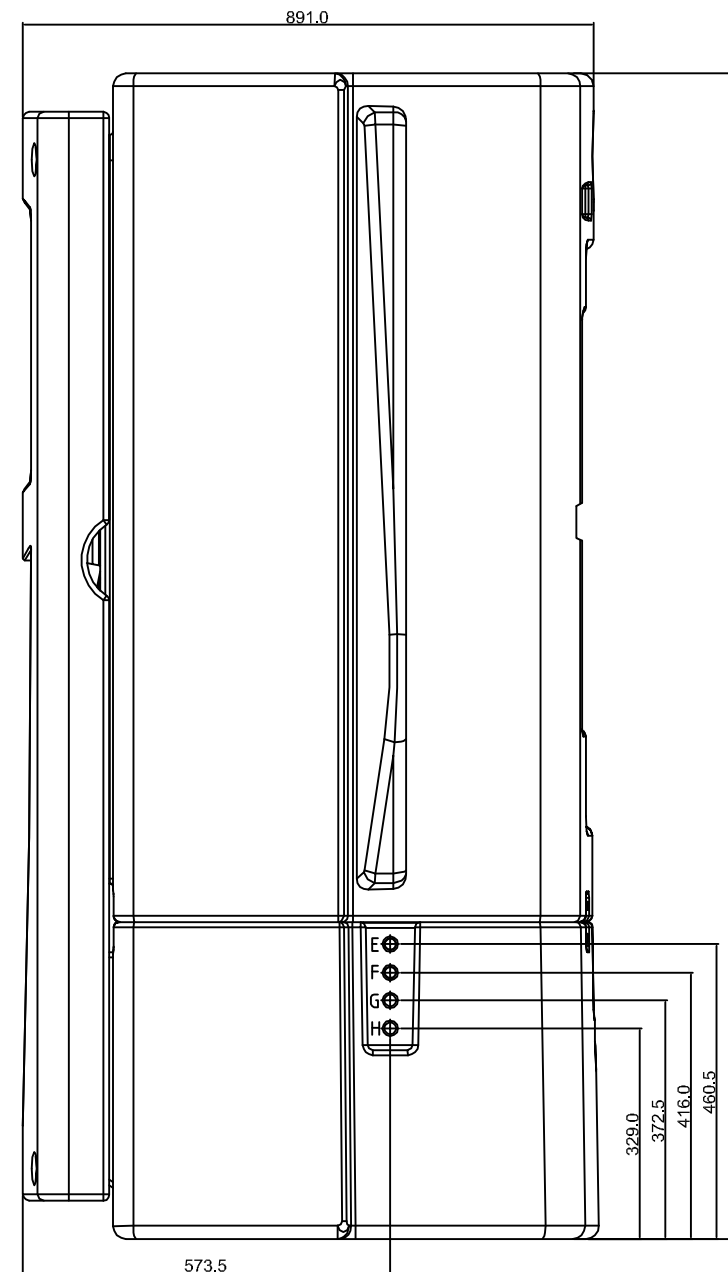
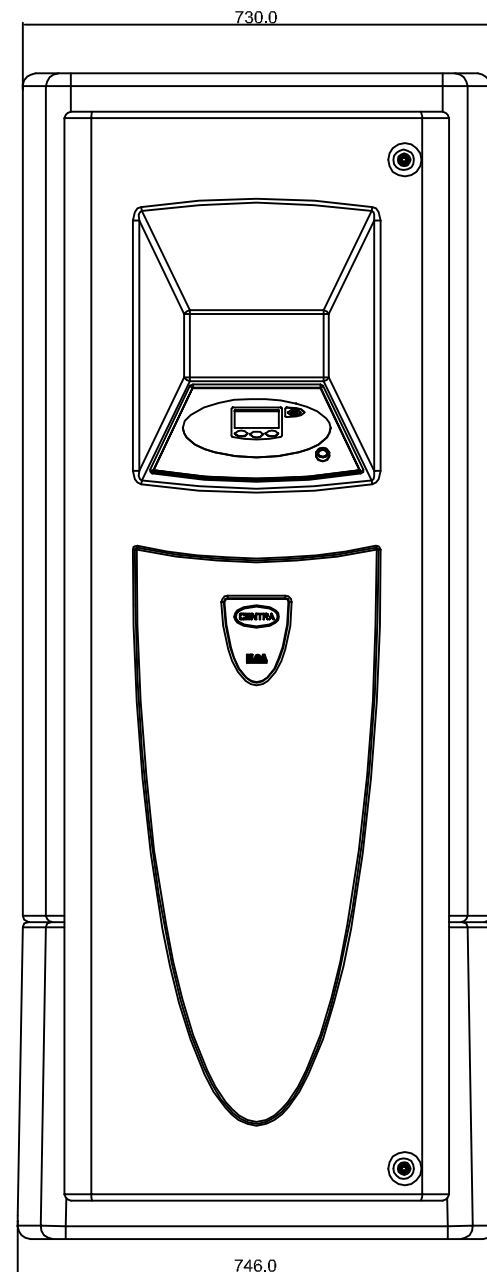
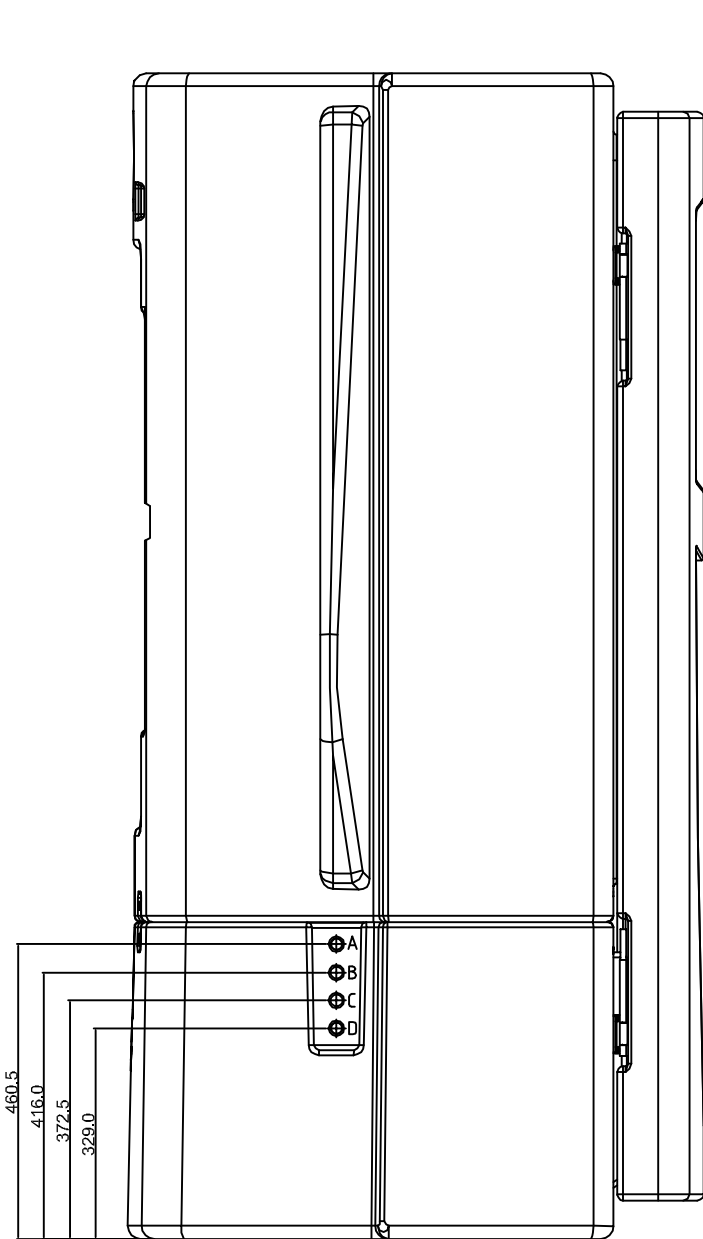


CONNECTION DETAILS.

REF	FUNCTION	DETAILS
A	INLET - FEEDWATER	3/4" BSP FEMALE THREAD
B	ION EXCHANGE INLET	3/4" BSP FEMALE THREAD
C	ION EXCHANGE OUTLET	3/4" BSP FEMALE THREAD
D	RESERVOIR DRAIN (MANUAL)	3/4" BSP FEMALE THREAD
E	RINGMAIN RETURN	3/4" BSP FEMALE THREAD
F	RINGMAIN OUTLET	3/4" BSP FEMALE THREAD
G	SANITISATION DRAIN	3/4" BSP FEMALE THREAD
H	CONCENTRATE DRAIN	3/4" BSP FEMALE THREAD

NOTE:

THE CENTRA RDS HFV/HFR DOES NOT HAVE B AND C CONNECTIONS .



IF IN DOUBT-ASK

3rd ANGLE PROJECTION DO NOT SCALE

MATERIAL: N/A

FINISH: N/A

GENERAL NOTE: N/A

TOLERANCES UNLESS STATED:
 ONE PLACE DEC. ± N/A ANGULAR ± 0.5°
 TWO PLACE DEC. ± ALL HOLE TOLS. TO BS.4500 H11

DIMS. IN mm	SCALE	DRAWN	JP	AUG 11	DATE
			NTS	CHECKED	
SIZE: A3		APPROVED	LU	AUG 11	

TITLE

SALES DIAGRAM OUTLINE & CONN'N CENTRA RDS RANGE

PART NUMBER: N/A

ELGA

www.elgalabwater.com
info@elgalabwater.com

ELGA is the laboratory water brand of Veolia Water Solutions & Technologies.

THIS DRAWING IS THE PROPERTY OF ELGA Labwater. THE DETAILS SHOWN ARE STRICTLY CONFIDENTIAL AND MUST NOT BE DISCLOSED TO ANY THIRD PARTY WITHOUT THE CONSENT OF VWS (UK) LTD.