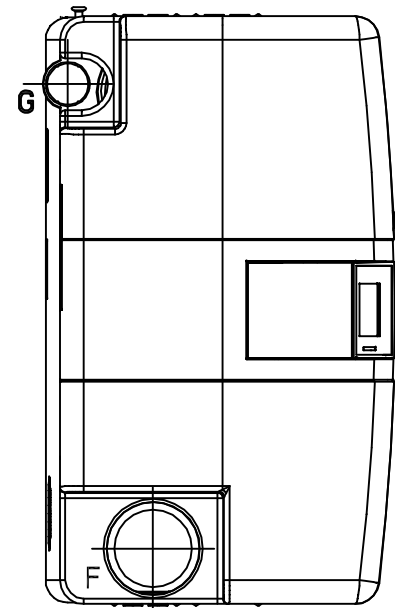


ISS.	MN/PRN/DN	ACTION	APPR'D	DATE
1	DN/E/144	JP		
-	-	-	-	-
-	-	-	-	-

CONNECTION DETAILS (ALL VARIANTS)

REF.	FUNCTION	DETAILS
A	INLET - FEED WATER	1/2" BSP THREADED HOLE
B	OUTLET - TO LOOP	1/2" BSP THREADED HOLE
C	RETURN - FROM LOOP	1/2" BSP THREADED HOLE
D	DRAIN	1/2" BSP THREADED HOLE
E	TANK FEED/DRAIN	10mm OD TUBE CONNECTOR
F	BREAK TANK ACCESS	96mm DIAMETER
G	MAIN TANK ACCESS	38mm DIAMETER
H	I BUTTON	FOR SERVICE/OPERATOR ACCESS
J	DATA MODULE PORT	FOR DATA UPLOAD/DOWNLOAD



IF IN DOUBT-ASK

3rd ANGLE PROJECTION DO NOT SCALE

MATERIAL: N/A

FINISH: N/A

GENERAL NOTE: N/A

TOLERANCES UNLESS STATED:
 ONE PLACE DEC. ± N/A ANGULAR ± 0.5°
 TWO PLACE DEC. ± ALL HOLE TOLS. TO BS.4500 H11

DIMS. IN mm	SCALE	DRAWN	JP	SEPT 11	DATE
	NTS	CHECKED	-	-	
SIZE: A3		APPROVED	-	-	

TITLE

SALES DIAGRAM OUTLINE & CONNECTION CENTRA-R 60/120 RANGE

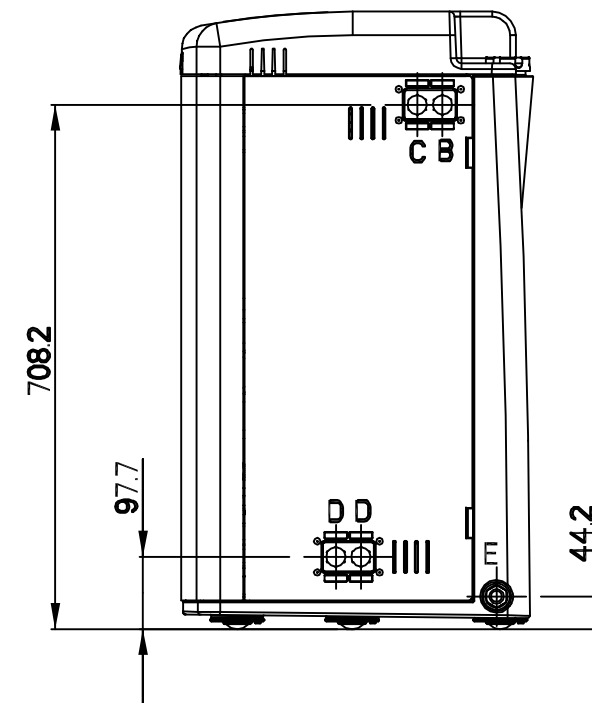
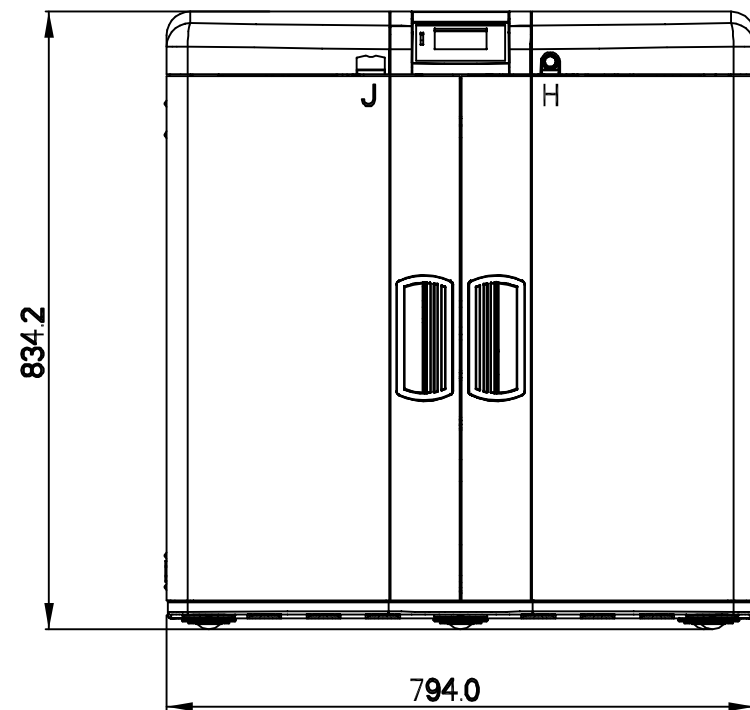
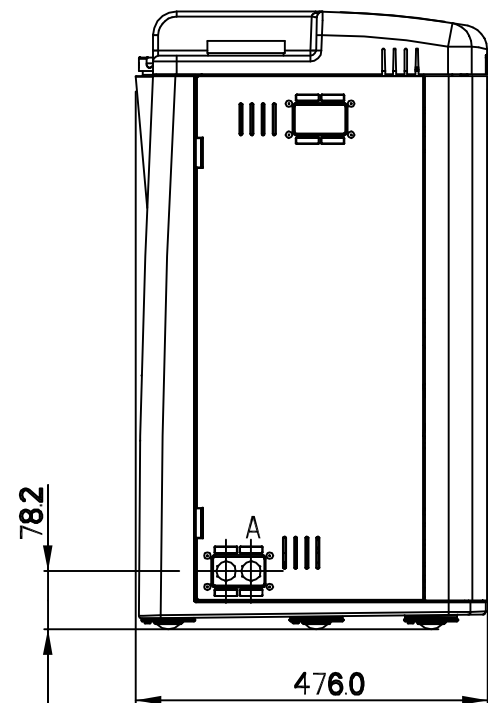
PART NUMBER: N/A

ELGA

www.elgalabwater.com
info@elgalabwater.com

ELGA is the laboratory water brand of Veolia Water Solutions & Technologies.

DRG. NO. SD_CENTRA-R_60_120 ISSUE 1
 SHEET No.1 OF 2



THIS DRAWING IS THE PROPERTY OF ELGA Labwater. THE DETAILS SHOWN ARE STRICTLY CONFIDENTIAL AND MUST NOT BE DISCLOSED TO ANY THIRD PARTY WITHOUT THE CONSENT OF VWS (UK) LTD.