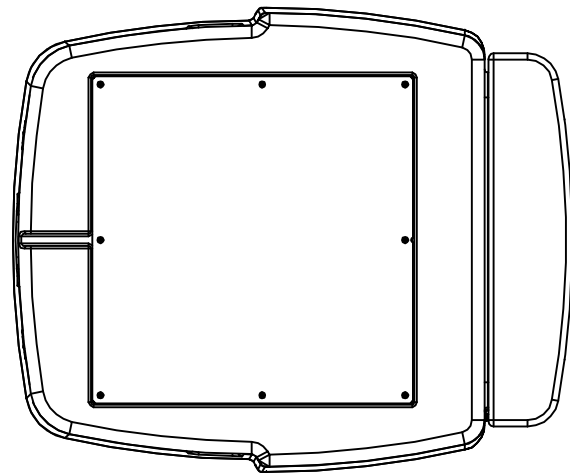
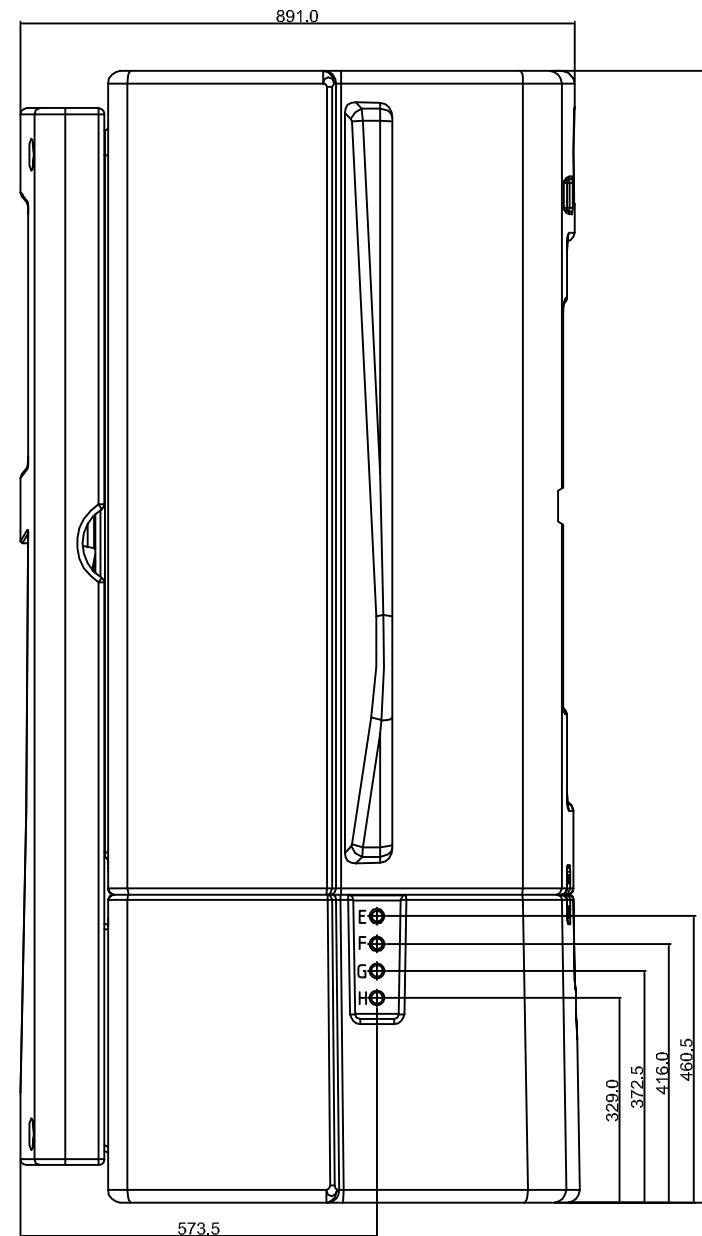
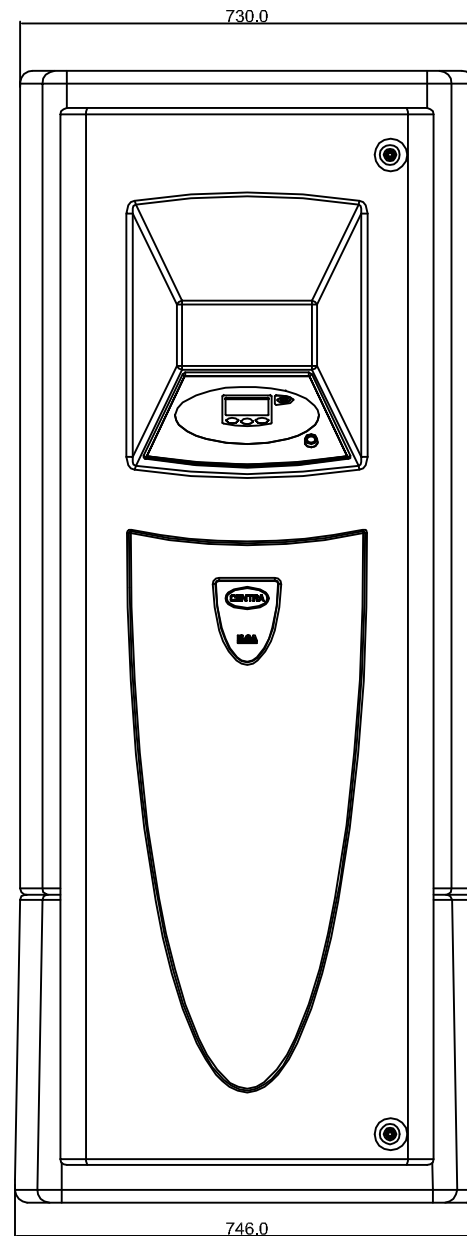
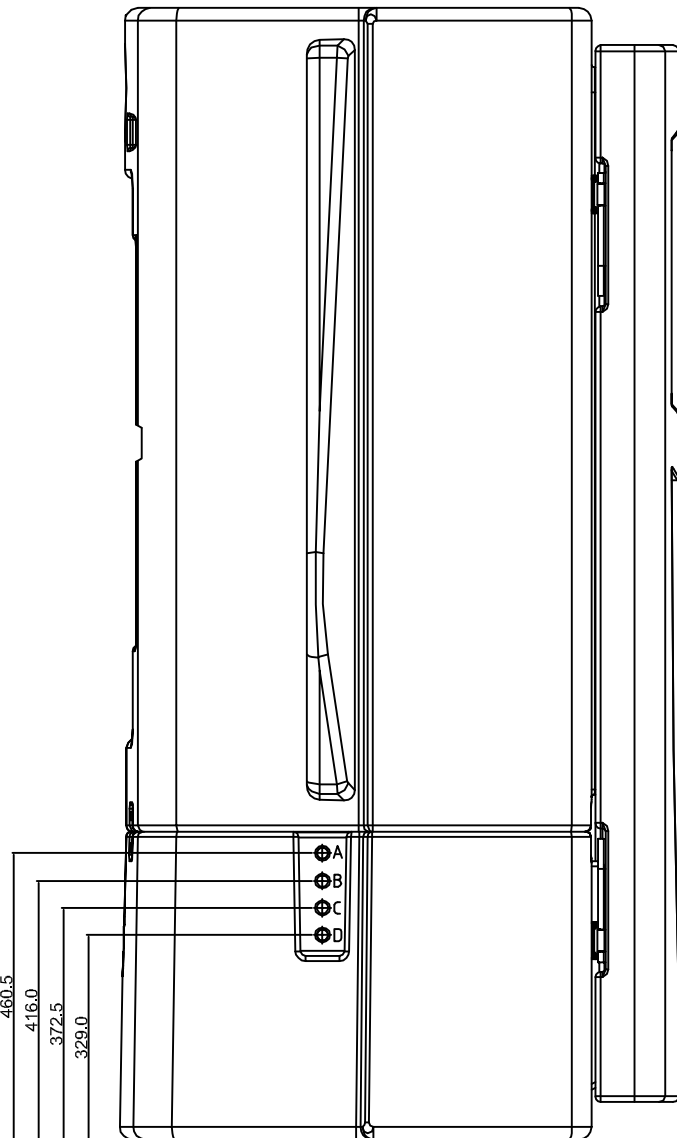


ISS.	MN/PRN/DN	ACTION	APPR'D	DATE
1	DN/E/144	JP		
-	-	-	-	-
-	-	-	-	-

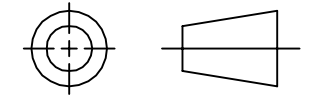


CONNECTION DETAILS.

REF	FUNCTION	DETAILS	CNXXLDS_115	CNXXLDS_230
A	INLET - FEEDWATER	3/4" BSP FEMALE THREAD	✓	✓
B	ION EXCHANGE INLET	3/4" BSP FEMALE THREAD	✓	✓
C	ION EXCHANGE OUTLET	3/4" BSP FEMALE THREAD	✓	✓
D	RESERVOIR DRAIN (MANUAL)	3/4" BSP FEMALE THREAD	✓	✓
E	RINGMAIN RETURN	3/4" BSP FEMALE THREAD	✓	✓
F	RINGMAIN OUTLET	3/4" BSP FEMALE THREAD	✓	✓
G	SANITISATION DRAIN	3/4" BSP FEMALE THREAD	✓	✓
H	CONCENTRATE DRAIN	3/4" BSP FEMALE THREAD	✓	✓



IF IN DOUBT-ASK



3rd ANGLE PROJECTION DO NOT SCALE

MATERIAL: N/A

FINISH: N/A

GENERAL NOTE: N/A

TOLERANCES UNLESS STATED:  
 ONE PLACE DEC. ± N/A ANGULAR ± 0.5°  
 TWO PLACE DEC. ± ALL HOLE TOLS. TO BS.4500 H11

DIMS. IN mm	SCALE	DRAWN	JP	AUG 11	DATE
			NTS	CHECKED	
SIZE: A3		APPROVED	LU	AUG 11	

TITLE  
**SALES DIAGRAM  
 OUTLINE & CONN'N  
 CENTRA R200  
 RANGE**

PART NUMBER: N/A

**ELGA**

www.elgalabwater.com

info@elgalabwater.com

ELGA is the laboratory water brand of Veolia Water Solutions & Technologies.

DRG. NO.	<b>SD_CR200_01</b>	ISSUE	<b>1</b>
SHEET No.1 OF 1			

THIS DRAWING IS THE PROPERTY OF ELGA Labwater. THE DETAILS SHOWN ARE STRICTLY CONFIDENTIAL AND MUST NOT BE DISCLOSED TO ANY THIRD PARTY WITHOUT THE CONSENT OF VWS (UK) LTD.